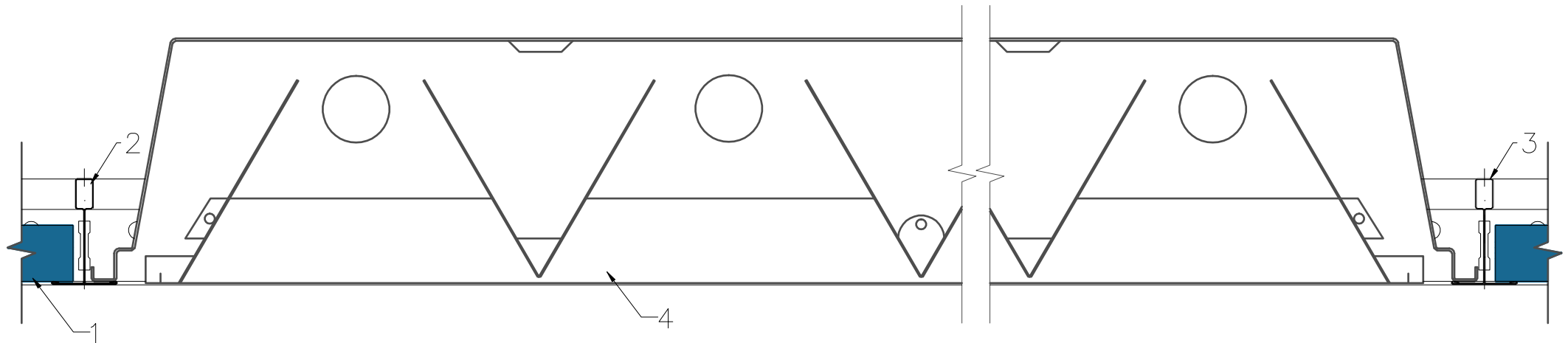


1. Tile ROCKFON, edge A
2. Mainrunner T24 C/H38 3600 white
3. Cross Tee T24 C38 1200 white
4. Modular light fitting



Weight of the light must not exceed the maximum allowed system load.  
Additional hangers can be added with additional load.

All screws and other fastenings shown are indicative and illustrative only.  
Specific fasteners should be chosen dependent on substrates and materials being used.

Information: Light installation – recessed modular in RockLink 24 and RockLink 15  We kindly draw your attention to the fact that the above drawings should be considered as guidelines and therefore are without responsibility on the part of Rockfon.	Date: 09.04.2014		Drawing Type:	
	Drawing No.: 4.1.9.Lighting–ventilation–etc.		Drawn by:	Scale: 1:2
	Contact Information:			

**Rockfon**<sup>®</sup>