



art metal

F.P.H. Art Metal Sp.j.

83-331 Przyjaźń , Łapino Kartuskie 34 , Poland

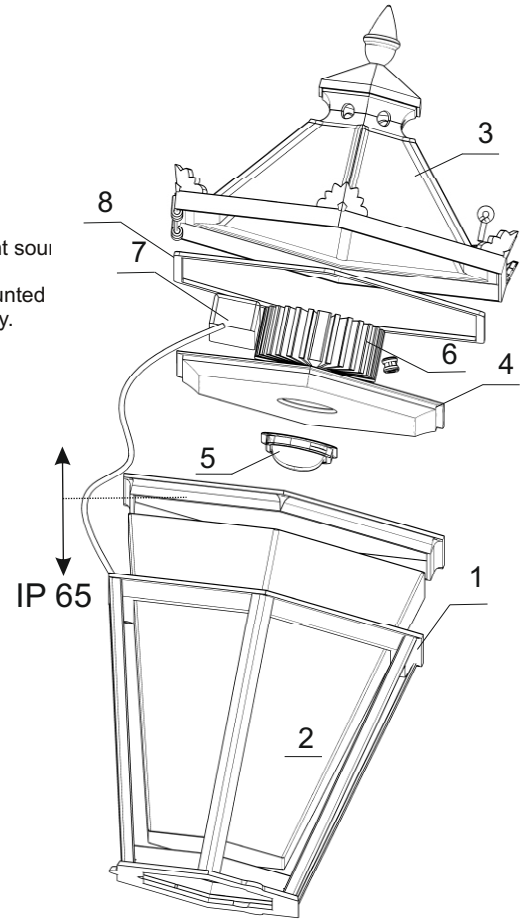
Tel. 0048 58 681 80 78 , Fax: 0048 58 681 80 64

www.art-metal.pl e-mail: biuro@art.-metal.pl

01 VERA LED

Construcion:

The unit consists of a metal basket (1) holding a shade (2). A disk (4) separating electrical compartment from lighting compartment is attached to a luminary cover (3) on the top. A LED light source radiator (6) is mounted to the disk (4). LED module is mounted to the radiator (6) a tightly closed with a lens (5). Module is powered with a voltage power supply (7). The luminary cover (4) is mounted to the luminary body (1) with a hinge and closed with a screw so no additional tools are necessary. The luminary is sealed with a gasket (8).

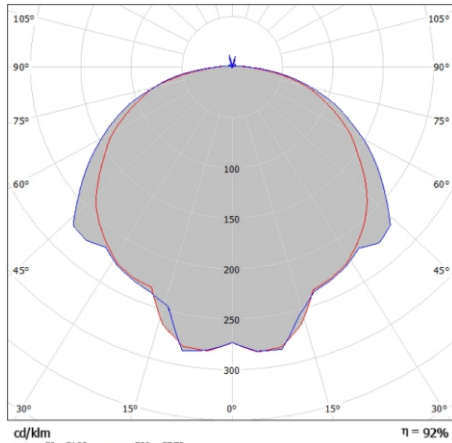


Mounting instruction:

- *)- Put the shade (2) into the basket (1)
- *)- Screw the radiator (6) to mount an LED light source to the disk (4)
- *)- Connect the electrical cables to the terminals of power supply (7)
- Screw tightly disk (4) to the luminary cover (3)
- Close the cover using hand.
- Luminary is mounted to the lantern depending on the pole construction - either hanging on M20 thread or mounted on the top of the pole on 45 - 90 diameter.

If any lantern elements are supplied factory-mounted, the mounting stages marked with *) should be omitted (as this has already been done by the manufacturer).

TECHNICAL DATA:



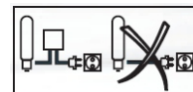
Photometry (polar plot)

Power: ~230/50Hz

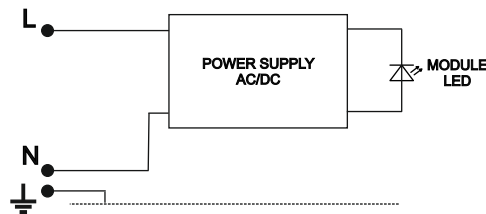
Protective class: I

IP44 -electrical part

IP65 -optical part



ELECTRICAL DIAGRAM:



1.Module LED

Type	Light-prod. element	Lum.Flux [lm]	Light colour	Weight [kg]	Pn [W]	Luminary dimensions
01L-35W	NZL35(Cree)	3680	warm white	14,5	35	
01L-40W	NZL40(Cree)	4096	warm white	14,5	40	
01L-54W	NZL54(Cree)	5010	warm white	14,5	54	
01L-63W	NZL63(Cree)	5500	warm white	14,5	63	



WARNING !! The weight of the unit may slightly differ for individual production batches.

