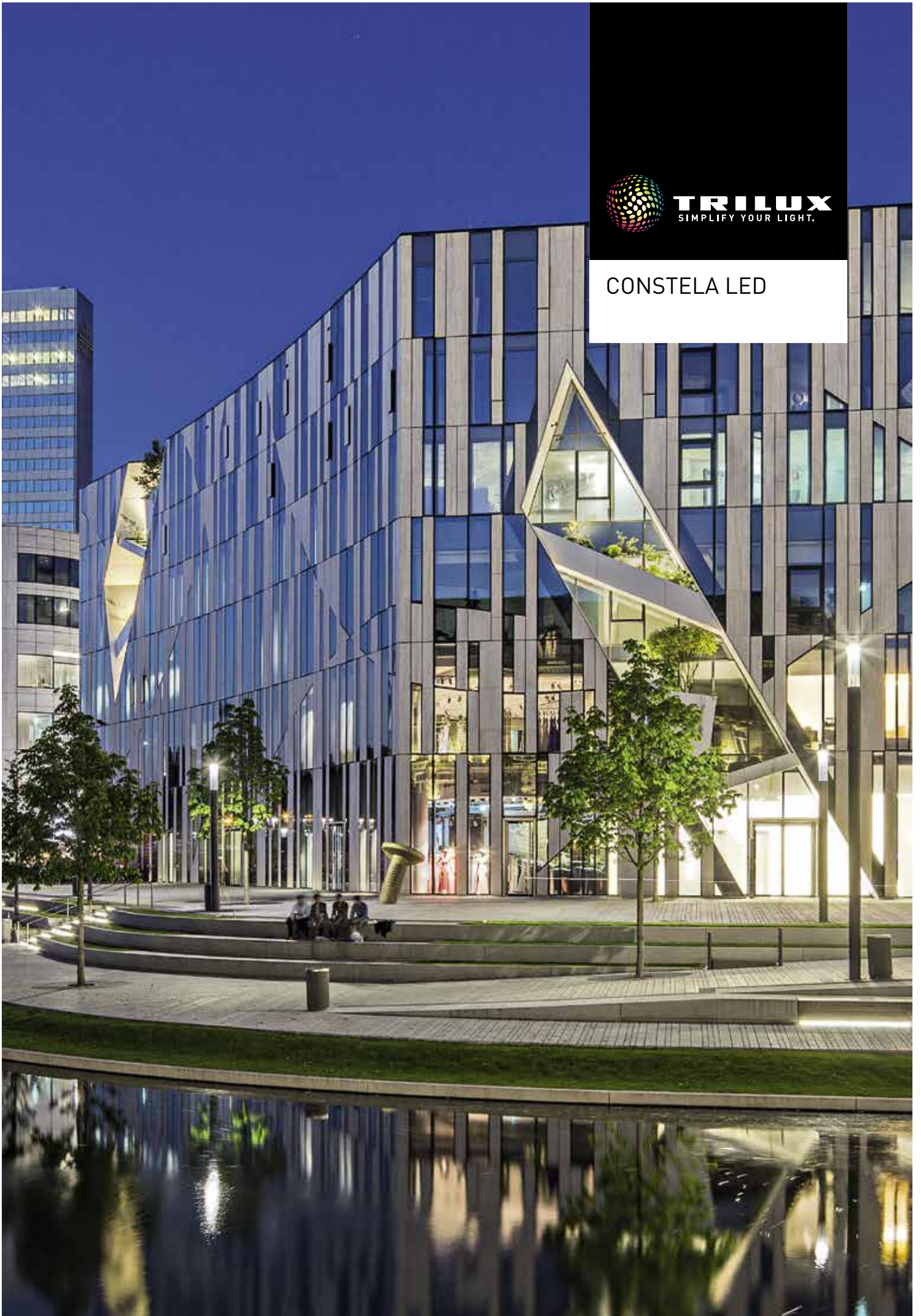


TRILUX
SIMPLIFY YOUR LIGHT.

CONSTELA LED





CONSTELA LED

BREATH TAKINGLY ATTRAC-
TIVE AND INTELLIGENTLY
CONFIGURED



CONSTELA LED

EASILY PRESENTING
BUILDINGS WITH LIGHT

The ConStela LED brings individuality and good looks to urban outdoor lighting. Planners and architects can rapidly and simply assemble the column with modular design using the TRILUX Configurator. A selection can be made from various luminaire heads and supporting columns of various heights. The result is a custom-designed column for individual lighting solutions.

Various light modules also mean the ConStela LED is very flexible: It can illuminate plazas as well as individual buildings. With all its diversity and flexibility, ConStela LED with its purist looks represents an attractive and sophisticated design that upgrades urban environments both day and night with design and light effects.



Modular construction. Complete flexibility.

The modular system makes it possible: supporting columns with various heights and various luminaire heads enable the creation of unique light columns. On request, TRILUX also offers further options for individualisation.

The TRILUX Configurator. The most simple way to achieve custom-designed light.

With the TRILUX Configurator, individual modules are quickly combined to custom-designed columns.

Concise forms. A timeless design.

The unique and purist design means the ConStela LED has timeless looks. It's the ideal solution for sophisticated outdoor design.

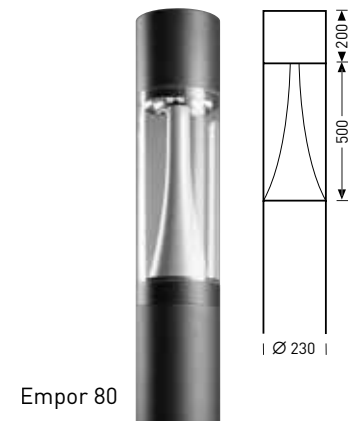
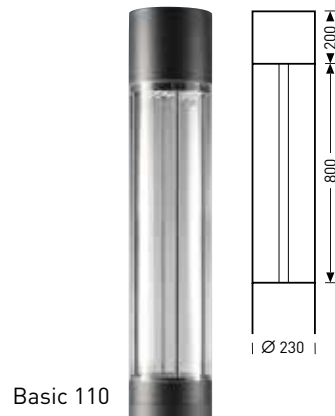
SIMPLY THE RIGHT SOLUTION FOR ALL SURROUNDINGS

INDIVIDUAL LIGHT COLUMNS CAN BE DESIGNED THAT SIMPLE

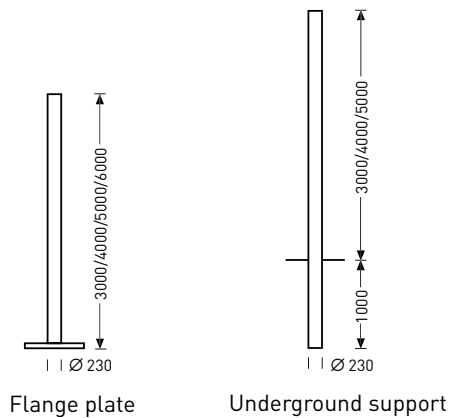
Specify a luminaire head

Rotationally symmetric (RB) or asymmetric (AB),
either warm white or neutral white

Rotationally symmetric (RB),
either warm white or neutral white



Specify the height and type of supporting column



The supporting column is available in seven different heights (from 3 - 6 m).

Specify the optimal accessories



*accessory must be ordered separately.

This is how your light column could look like

Pre-announcement: The complete light column will also soon be available with Ø 200 mm as standard. This size has already been implemented with custom projects. We would be pleased to demonstrate the complete range of options – simply contact us.



Simply highly flexible.

Luminaire heads are steplessly rotated through 360°, enabling precise on-site alignment.

EXAMPLE CONFIGURATION

In general	
Diameter	230 mm
Total height	4.80 m
Luminaire head	
Design	Empor 80
Light distribution	rotationally symmetric
Light colour	warm white/neutral white
Luminaire luminous flux	3,500 lm, 4,200 lm
Supporting column	
Height above ground	4.00 m
Mounting	Flange plate
Number of doors	1
Separate underground support	Yes
Visibility shield	No
Colour	
Name	Anthracite
Anti-graffiti coating	No

Select your desired colour*



* further colours available on request.

Optional: a light management system can also be integrated upon request.

See www.trilux.com/constela for more detailed information and the configurator.



CONSTELA LED

COLUMN PROJECTS
IMPLEMENTED

Paderborn University



Koblenzer Strasse, Bonn



Unna town centre



KÖ-Bogen, Düsseldorf



Kulturbahnhof, Kassel



Historic town centre, Bad Laer



Historic town centre, Bad Laer



Unna town centre



Koblenzer Strasse, Bonn



Historic town centre, Bad Laer



Westend uni. campus, Frankfurt



KÖ-Bogen, Düsseldorf



Troisdorf Town-Hall



Historic town centre, Bad Laer



Paderborn University



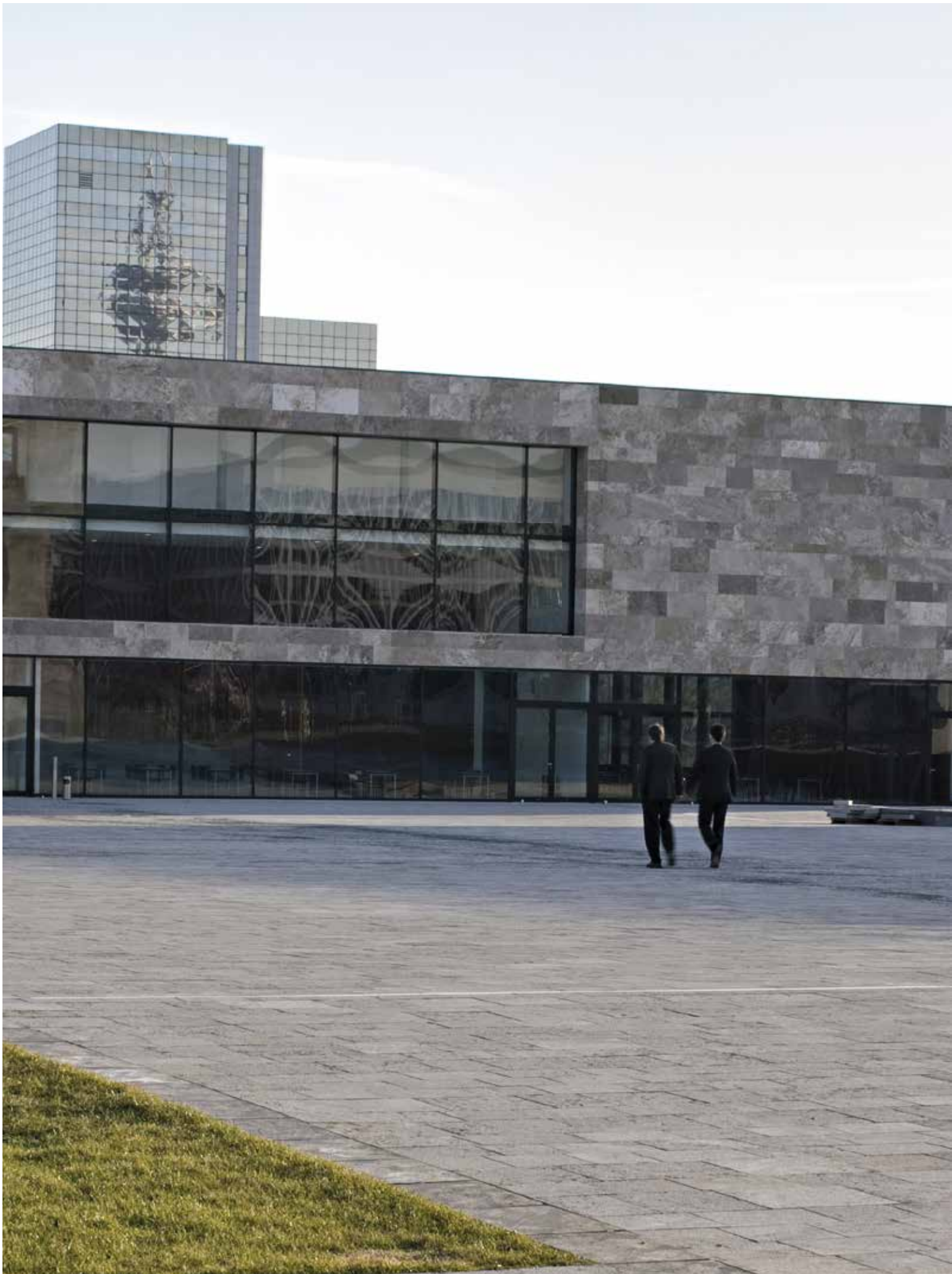
Südertor, Lippstadt



Simeonsplatz, Minden



Breslauer Platz, Cologne





CONSTELA LED

PROJECT-SPECIFIC
CUSTOM SOLUTIONS*

* further project solutions are possible in coordination with your personal contact on-site.

8841... LED

HIGH PERFORMANCE
WITH STYLE



Constructional architecture does not stop with the outer facade but continues with the building surroundings. During daytime, the 8841 LED bollard luminaire emphasises the looks outside, while in twilight and evening hours it illuminates paths attractively, efficiently and safely with best lighting technology. Available with different wide light distribution characteristics, the luminaire optimally adapts to its surroundings and can also be used as a bollard, short bollard or wall luminaire. The 8841 LED is certainly fit for the future: Subsequent modifications are carried out quickly with the simply replaceable luminaire head.

Timeless elegance. Design flexibility.

The timeless, classic design of the 8841 LED gives it an unmistakable character and is able to blend tastefully into either sophisticated or decorative architectural situations.

Flexible family. Customised light.

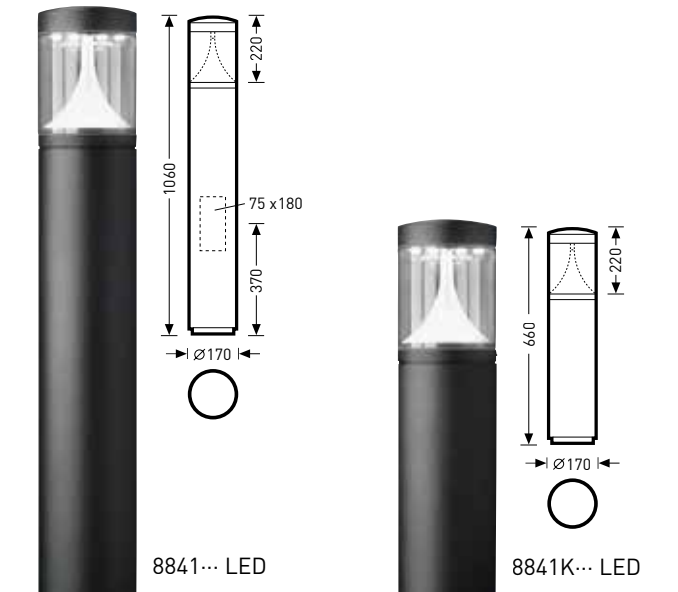
The 8841 LED is available as a bollard luminaire, short bollard or wall luminaire, and can be optionally configured with asymmetric or rotationally symmetric wide light distribution as well as various luminaire luminous flux packages. Additional protection from vandalism is provided by an optional supporting column with continuous underground support.

High-performance optics.

The innovative lighting technology guarantees optimal light effects with minimum energy overheads.

Design information:

The 8841... LED bollard luminaire with the ConStela LED light column (Empor head) rounds off the overall appearance, representing a very appealing luminaire range.



Technical features:

- Luminaire luminous flux: 700 lm, 800 lm
- Connected load/efficiency: 9 W, 11 W/ up to 78 lm/W
- Service life: 50,000 (h) L80/B10
- Colour rendering/-temperature: 730, 740
- Electrical version: ET
- Dimensions:
 - Short bollard: Ø 170 x 660 mm (Ø x H)
 - Bollard: Ø 170 x 1060 mm (Ø x H)
- Protection rating/safety class: IP65, II
- Light distribution: Rotationally symmetric wide distribution (RB) / asymmetric wide distribution (AB)



Two different beam characteristics – asymmetric wide and rotationally symmetric wide – are available for fulfilling the lighting task.

TRILUX GmbH & Co. KG

Heidestraße · D-59759 Arnsberg
Postfach 19 60 · D-59753 Arnsberg
Tel. +49 29 32.3 01-0
Fax +49 29 32.3 01-3 75
sales@trilux.com · www.trilux.com

TRILUX LIGHTING LIMITED

TRILUX HOUSE, Winsford Way
Boreham Interchange
Chelmsford, Essex
CM2 5PD
Tel. +44 12 45.46 34 63
Fax +44 12 45.46 26 46
info.co.uk@trilux.com · www.trilux.com

