



**Dri-Design Façades**

# DESIGN MEETS EFFICIENCY

 high aesthetics

 fast install

 flexibility



## Paroc Panel System - over 30 years' experience

---

Paroc Panel System is a leading manufacturer of high-class sandwich panel systems with stone wool insulation core. Our international network of sales offices and distributors covers almost the whole Europe and the Middle East with the strongest exposure in the Nordics.

## Systems & Products

---

The main application areas for our systems are façades, partition walls and ceilings in commercial, industrial, office and public buildings.

AST® quality (Advanced Structural Technology) results in secure strength properties, reliable long-term durability and fire safety in stone wool sandwich panels.

QuadCore™ Technology - a new insulation core, that delivers the highest performance of any closed-cell insulation across fire, thermal, environmental and longevity.



## Service

---

The whole construction process, from the project planning throughout the installation, has to be fast, flexible and simple. Our extensive experience, unique service package and flexible operations facilitate the management of building projects. Our teams understand modern construction's requirements and help architects, customers and installers to solve their challenges at each stage of this process.

# Contents

---

Turning Ordinary into Extraordinary	4
Design to the Next Level	6
SuperFast Install	7
Why Dri-Design?	8
Benefits from Dri-Design Façade	9
Colours & Coatings	10
One Cassette, Plenty of Options	14
Service and Support	22

---

# Turning Ordinary into Extraordinary

**The Dri-Design façade system is now available across Paroc Panel System's architectural range, offering almost unlimited design options and super fast installation.**

Dri-Design is an innovative solution for designing and implementing attractive 3D-façades and unique on the market. It is a system of aluminum cassettes that can be provided in different sizes, shapes, textures and colours, installed as a typical ventilated façade or directly to Paroc Panel System's sandwich panels. Thanks to their properties and special joints, Dri-Design cassettes can be installed twice as fast as other comparable façade systems.

The rainscreen cassette comes from a robotized production line in three variations and can optionally be perforated.



**Dri-Design Flat**

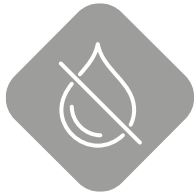
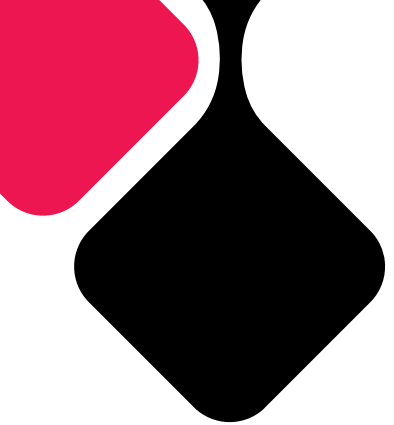
**Dri-Design Shadow**

**Dri-Design Tapered**

**Dri-Design Perforated**

MANUFACTURER  
WARRANTY





## Dry Joints

---

No sealants or gaskets means no maintenance legacy for the building owner, and no dirty streaks. The cassette is not laminated nor a composite material, so the cassettes will never delaminate.



## Environmentally Friendly

---

Composite and foam façade systems can't match Dri-Design for its environmental footprint. Dri-Design cassettes are made with recycled metal, are 100% recyclable and can be repurposed. The Dri-Design single skin technology does not have a plastic core like other metal composite cladding materials. It uses no sealants in the joints or gaskets which are made with petroleum, saving fossil fuels and future maintenance costs.



## Vast Colour and Coating Range

---

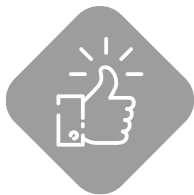
Available in a variety of colours, structural finishes, dimensions and textures. Practically any colour is available on request, depending on order quantity.



## Economical

---

Dri-Design is the economical alternative thanks to our highly automated manufacturing process and Quick & Easy Installation. The cassettes are not laminated or composite material. They will maintain uniformity and excellent appearance for many years with minimum maintenance cost.



## Certified and Manufacturer's Guaranteed

---

Dri-Design is CE marked and obtained national approvals. It comes with our unique manufacturer guarantee for supply from the full system by us, offering a unique one-stop-shop façade system solution. Dri-Design cassettes are made with highly automated equipment which ensures high repeatable quality of all elements.



# Design to the Next Level

---

## Dri-Design façade system that offers depth and structure

For buildings with complex designs, high aesthetics or requiring a ventilated façade, Dri-Design provides fast build, high technical performance solutions. We can achieve this with our extensive range of cassette types and finishes, including a patented Super-Fast install Dri-Design metallic rainscreen cassette. The Dri-Design cassettes are available in highly durable aluminum, across a range of shapes and sizes.

The rainscreen cassette comes in three variations Flat, Tapered and Shadow plus can be perforated. By combining them, designers can achieve patterns that are easily interchangeable without the need for complicated rail and bracket systems. In addition, the façade of the building can easily gain a unique 3D form.



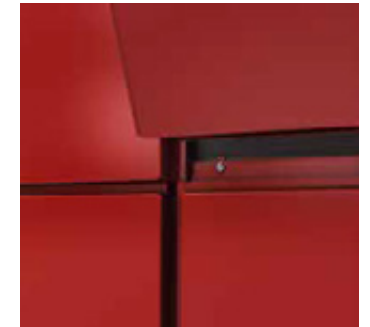
# SuperFast Install

---

In addition to its great appearance and design flexibility, the Dri-Design façade system offers a very quick and simple assembly in practically all weather conditions, without the risk of losing the technical properties of the façade.

- Minimum components
- Installs twice as fast as comparable systems with significant savings in constantly rising labor costs

- High quality, cassette types and sizes can be easily interchanged
- Self-draining gutter, low maintenance
- Can be attached either directly to the surface of the Paroc Panel System sandwich panel or by leaving a ventilation gap between the substructure and the cassette
- Installed from bottom to top



Dri-Design installed directly to Paroc Panel System's AST Built-On panel

---

# Why Dri-Design?

---



## Architect/Designer

---

- Beautifully simple one-piece engineering
- Unique 3D cassette system on the market
- Nearly endless design possibilities
- Unlimited palate of colours, finishes, textures, and custom perforations
- Free technical support



## Contractor/Installer

---

- Simplicity of modular system
- Up to two times shorter Installation time than other comparable façade systems, which gives measurable savings
- No dirty or wet work required - completely dry install
- Installation in practically all weather conditions with Paroc Panel System sandwich panels



## Investor/Developer

---

- Functionality, low maintenance cost for minimal cleaning
- Façade cost vs premium look - premium look creates potential higher selling price
- Manufacturer guarantee for full system from one supplier
- 100% recyclable and can be repurposed, ready for the circular economy



# Benefits from Dri-Design Façade

---

**100%**

reusable + recyclable

**zero**

sealants, gaskets or butyl tape in cassette joints, means no dirty streaks and maintenance cost reduced to the absolute minimum

**up to 2.0 times**

shorter installation time with measurable savings in overall project cost

**up to 2.0 times**

less truck deliveries to site



**28 kg**

saving in weight per 1 m<sup>2</sup> façade for easier & safer handling

**up to 2.5 times**

lighter façade with savings in structure & foundation

**up to 0.25 m**

thinner wall structure leading to savings in overall footprint and associated development costs

**Dri-Design installs twice as fast as comparable systems with minimum components. When installed to Paroc Panel System sandwich panels leads to more lifetime energy savings plus a thinner and lighter façade solution with multiple benefits in terms of efficiency and sustainability.**

\* These are estimates for façade using traditional built-up system with mineral fibre and ACM, compared with a 100mm QuadCore™ Built-On insulated panel and Dri-Design cassette system. Accurate calculations could be achieved with more detailed project information.

# Colours & Coatings

## Material Properties

We offer an extensive colour and finishes range for our Dri-Design system.

Dri-Design cassettes are available in aluminium coated with polyester powder coating (PPC) and are classified to EN13501-1: A2-s1,d0. Other material like corten, copper, zinc and stainless steel are available on special request, and can be also replicated in appearance with PPC on aluminium.



## Metalic Options

Our standard colours are available in a variety of gloss levels, from matt to high gloss and are all available as Class 1\*\* with most also available as super-durable Class 2\*\*.



Download or request "Colours & Coatings" brochure to discover more standard and special options

## Examples of Standard PPC Coatings



Grey



Green



Brown



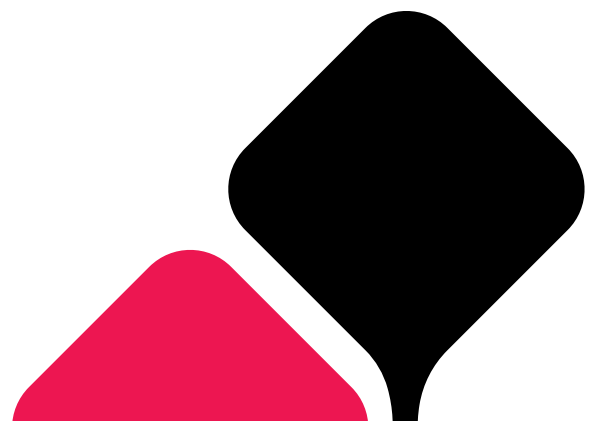
Blue



Beige

\* Material available on special request.

\*\* Class 1 is used extensively, it is an economical formulation which offers good life expectancy with minimal maintenance. Class 2 powders are being recognized by a growing number of specifiers and used on prestigious projects. Class 2 powders offer a superior resistance to UV and are formulated with different compounds. More expensive, these powders can offer extended life expectancy with reduced maintenance.



## Structural Coatings

Dri-Design is also available in anodised aluminium. Our Structural coatings on aluminium however can replicate the appearance of other more expensive materials like copper, zinc or corten steel giving texture and tone as well as colour.

Anodizing of aluminium takes the natural oxidation process and helps it along by adding electricity and chemicals to produce a dense surface that is integral with the aluminium.

All associated system accessories can be finished in the same range to compliment the façade.

## Examples of specialist structural coatings



Inspired by Anodic



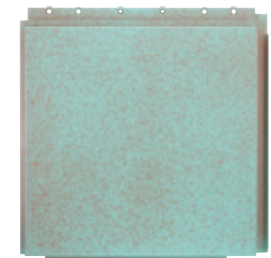
Inspired by Zinc



Inspired by Corten



Inspired by Gold



Inspired by Copper



For sample colour swatches, please send email:  
[panelinfo@parocpanels.com](mailto:panelinfo@parocpanels.com)



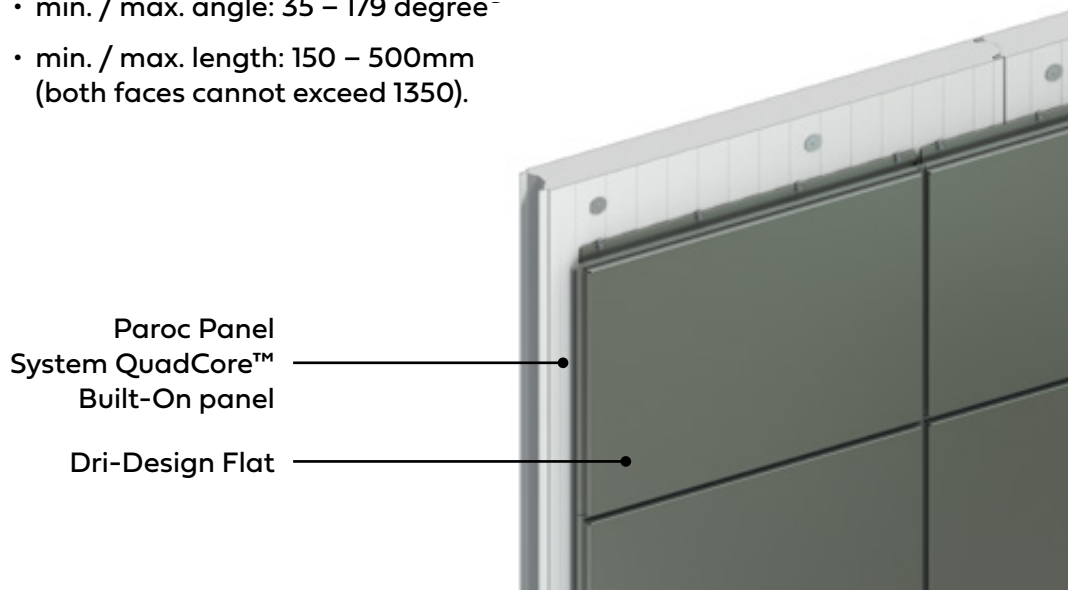
# One Cassette, Plenty of Options

## Dri-Design Flat

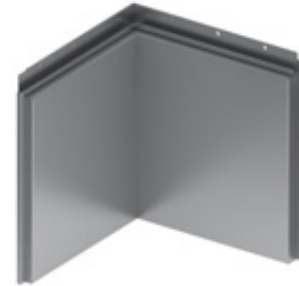
- Dri-Design Flat can be easily interchanged with the other Dri-Design cassettes, Shadow and Tapered.
- The cassettes and corners are complemented by a range of accessories for around façade openings, starter profiles and fixings.
- Dri-Design Flat cassettes can be also perforated.

Corner cassettes available for all Dri-Design types:

- min. / max. angle: 35 – 179 degree
- min. / max. length: 150 – 500mm (both faces cannot exceed 1350).



Internal Corner



External Corner



Horizontal joint size - 16 mm

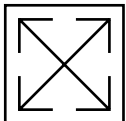
PPC coated, anodised or mill aluminium 2 mm

170 - 1220 mm\*

Vertical joint size - 14 mm

390 - 3750 mm\*

Depth - 32 mm

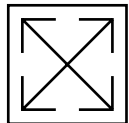
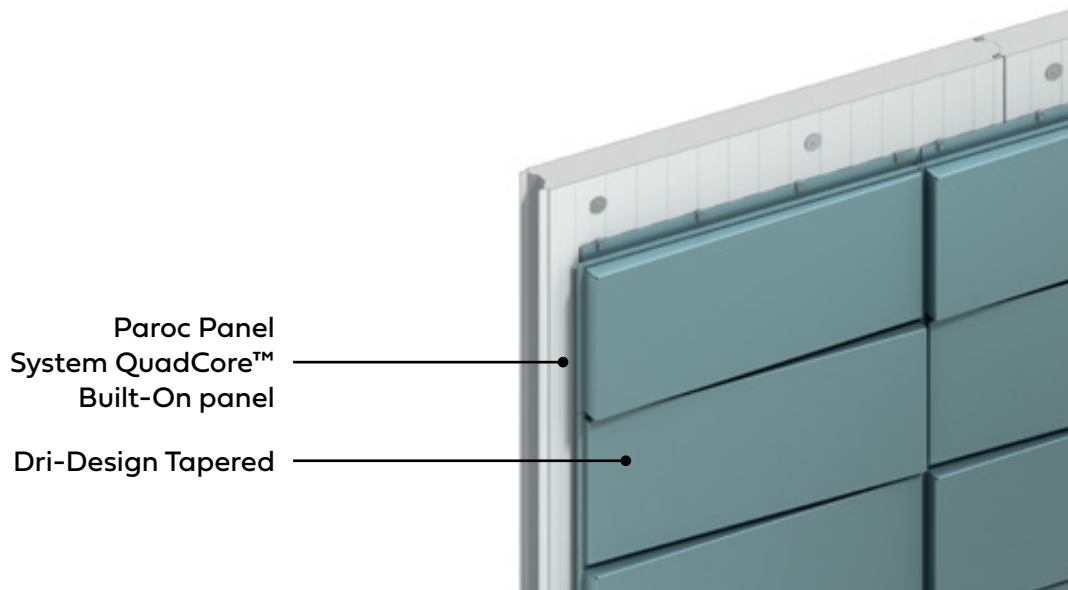


\*Scan here for the latest table with available dimensions and configurations

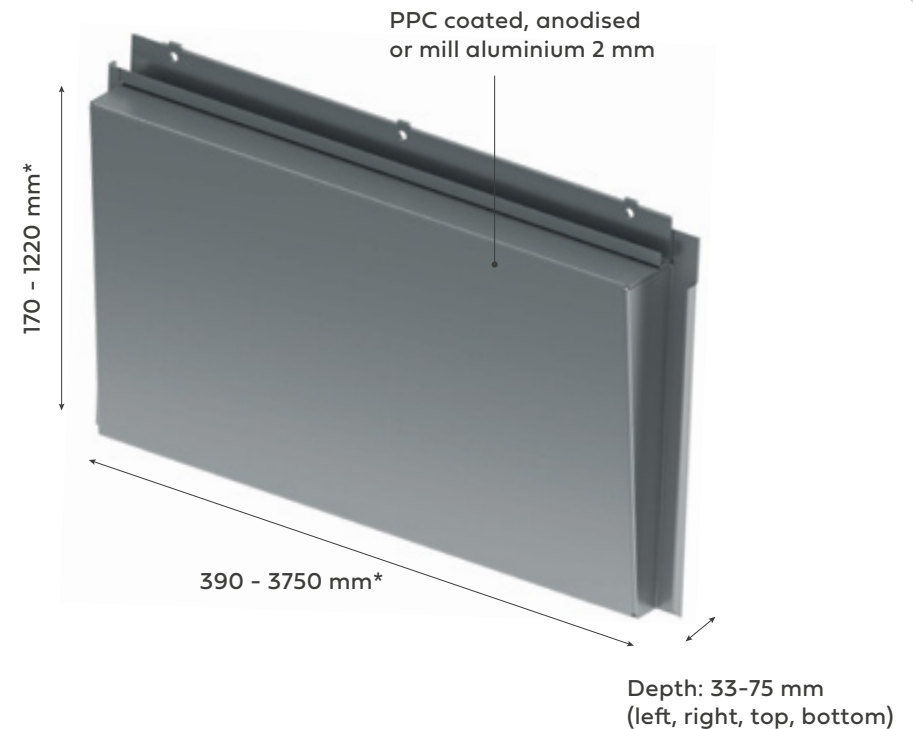


## Dri-Design Tapered

- Dri-Design Tapered cassettes can be angled in any single direction with varying degrees of slope and depths, up to a maximum of 75mm. This freedom to design each specific cassette gives you an unlimited capacity to create a dynamic, one-of-a-kind surface on nearly any façade, without the need to modify the substrate or weather barrier.
- The cassettes do not have external gaskets or sealants and are therefore easier to maintain.
- Dri-Design Tapered cassettes can be also perforated.
- Dri-Design Tapered cassettes allow designers to create a natural color variation by playing with shade variations from the tapered cassette on the wall.



\*Scan here for the latest table with available dimensions and configurations

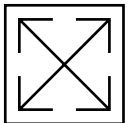
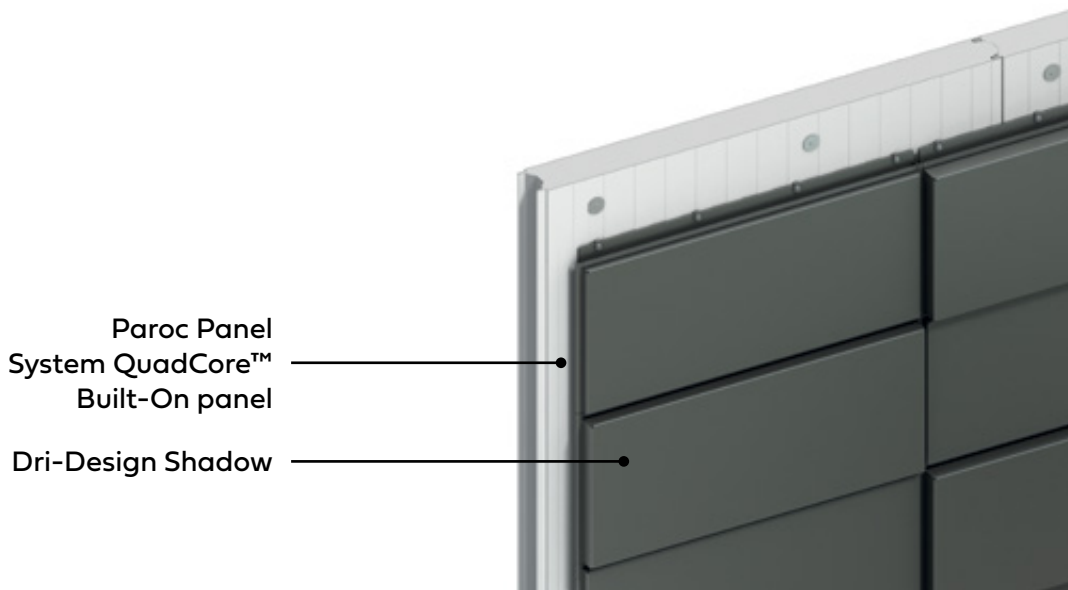






## Dri-Design Shadow

- Dri-Design Shadow cassettes let you add depth and definition to any architectural design.
- Cassettes can be extended at varying depths to create texture or a dynamic variation in patterns, all while keeping the substrate and weather barrier in the same plane.
- Dri-Design Shadow cassettes can be also perforated.

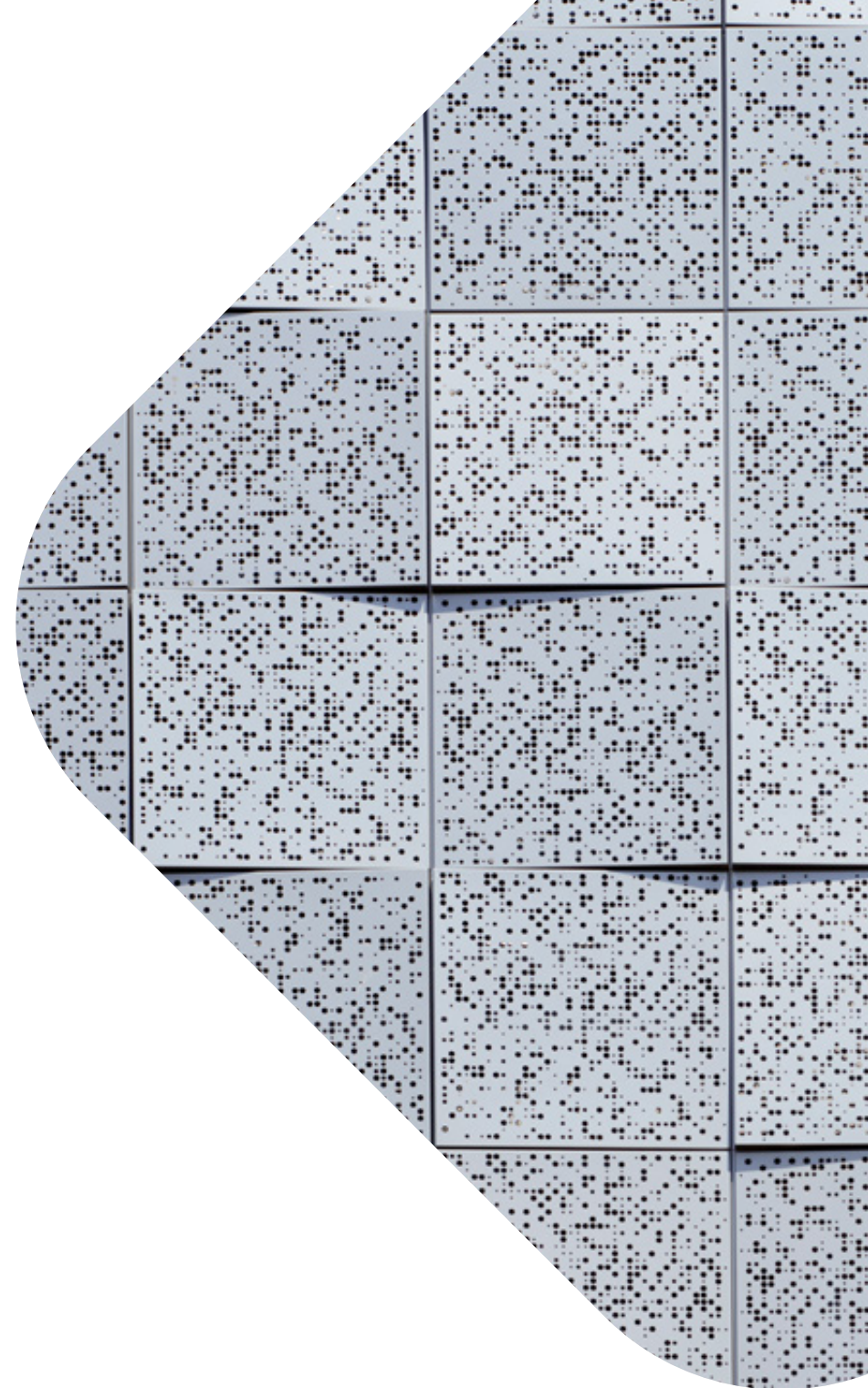
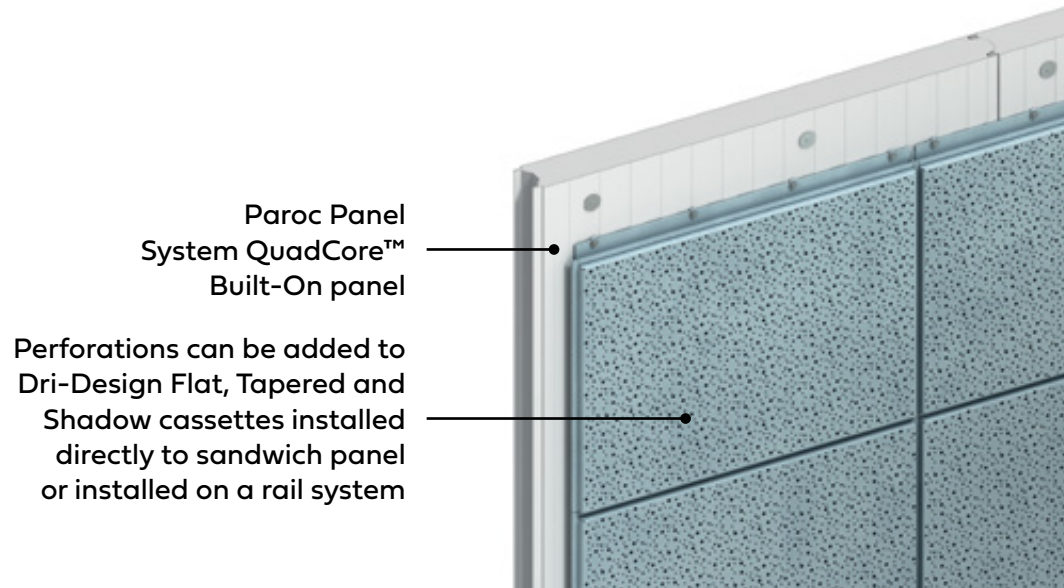


\*Scan here for the latest table with available dimensions and configurations



## Dri-Design Perforated

- By varying the size, location and density of perforations, areas of light, dark and shades in between are created to form an image.
- Perforations also allow the cassette to provide needed airflow and/or shade to a structure.
- Perforations in cassette are project specific.
- Optionally images can be 'printed' through perforation.





# Service and Support

---

## We're Here to Help!

Our services help save you time and ensure an optimised design with potential savings in structural steel and installation times.

## Contact Us for Planning and Specification Support



**Product Selection**



**Detailed specification of accessories**



**CAD/BIM construction details**



**Individual design of non-standard construction details**



**Technical specification packs**



**Specialist installation training**



**Technical design optimisation of your project**



**Contact Us for Fast  
Technical Advice about:**

- **Wind and snow load calculations**
- **U-Value / condensation risk**
- **Acoustic performance**
- **Fire protection**
- **Project fastener requirements**













Paroc  
Panel  
System

Paroc Panel System  
Sysilahden teollisuusalue 2  
Parainen, FI-21600

+ 358 (0) 46 876 8716  
panelinfo@parocpanels.com  
www.parocpanels.com